

Equipment Listing for reference number: 00001638

With matched RTO

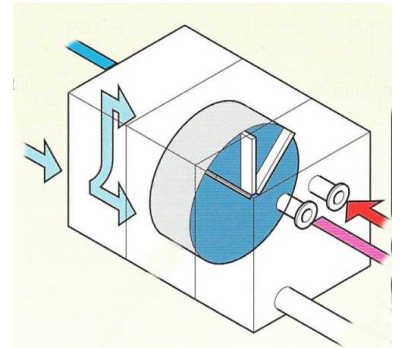
Ref: 00001638
Category: Concentrator
Capacity: 150,000 Nm³/h
Country: Italy

Notes:

Concentrator is matched with 2 Tower RTO with buffer (our item ref 1639).



General View of Concentrator v



Schematic

**If this unit does not suit your requirements, there may be others on the website
Do not hesitate to contact us if you need any technical support**

This equipment is listed on www.Abatement-Exchange.com - the largest selection of used Thermal Oxidisers in the world

*Please note that we cannot be held responsible for the accuracy of the information provided by third parties listing equipment on this website.
Always check the ability of a piece of equipment to meet your specific needs before purchasing.
Copyright (C) Environmental Project Management (Contracts) Ltd 2025*