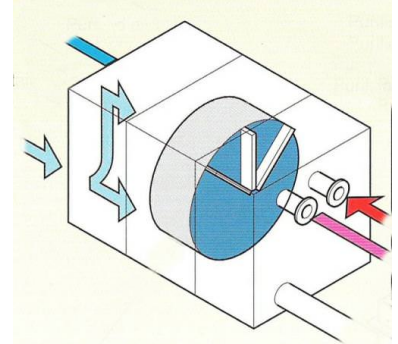


Equipment Listing for reference number: 00001682

Ref: 00001682
Category: Concentrator
Capacity: 62,000 Nm³/h
Country: Ireland

Notes:
Zeolite concentrator media c/w burner, fan, etc.
Matched with 8,000 2 tower RTO with buffer - ref 1683.



Sample schematic



General View with RTO

**If this unit does not suit your requirements, there may be others on the website
Do not hesitate to contact us if you need any technical support**

This equipment is listed on www.Abatement-Exchange.com - the largest selection of used Thermal Oxidisers in the world

*Please note that we cannot be held responsible for the accuracy of the information provided by third parties listing equipment on this website.
Always check the ability of a piece of equipment to meet your specific needs before purchasing.
Copyright (C) Environmental Project Management (Contracts) Ltd 2025*